



HENDRIKX CONCRETE PTY LTD

417 PRINCES HIGHWAY, OFFICER, VIC 3809

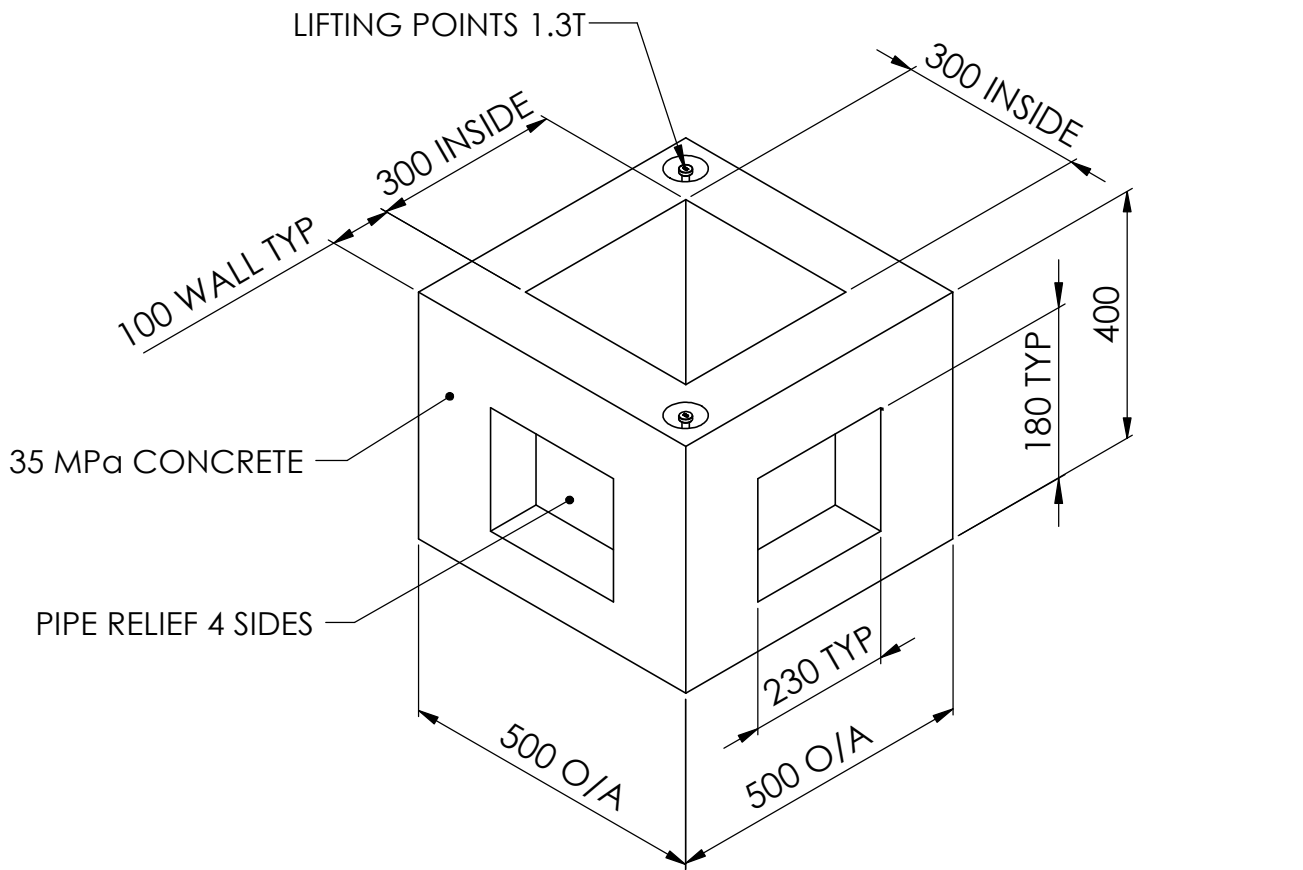
ABN: 12 067 076 751 ACN: 067 076 751

TEL: (03) 5943 2321 FAX: (03) 5943 1221

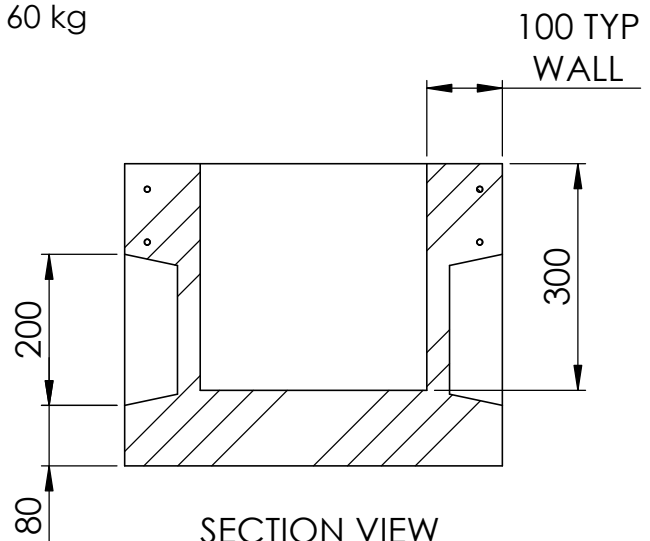
EMAIL: sales@hendrixxconcrete.com.au

WEBSITE: www.hendrixxconcrete.com.au

LIDS:
AVAILABLE IN GAL GRATING, CAST IRON, TERRA FIRMA, CONCRETE



300 x 300 x 300 CONCRETE PIT
WEIGHT = 160 kg



NOTES:

1. DO NOT SCALE.
2. SLIGHT TAPER ON CONCRETE UNITS.
3. MEASUREMENT IN MILLIMETRES.

| | | | | |
|--|---|---------------------|-------------------------|------------------|
| Drawing Number: 13-HDC-001-I | Title: 300 x 300 x 300 CONCRETE PIT - INFORMATION | Drawn: EJ | Date: 5.10.15 | Rev: 0 |
|--|---|---------------------|-------------------------|------------------|