



HENDRIKX CONCRETE PTY LTD

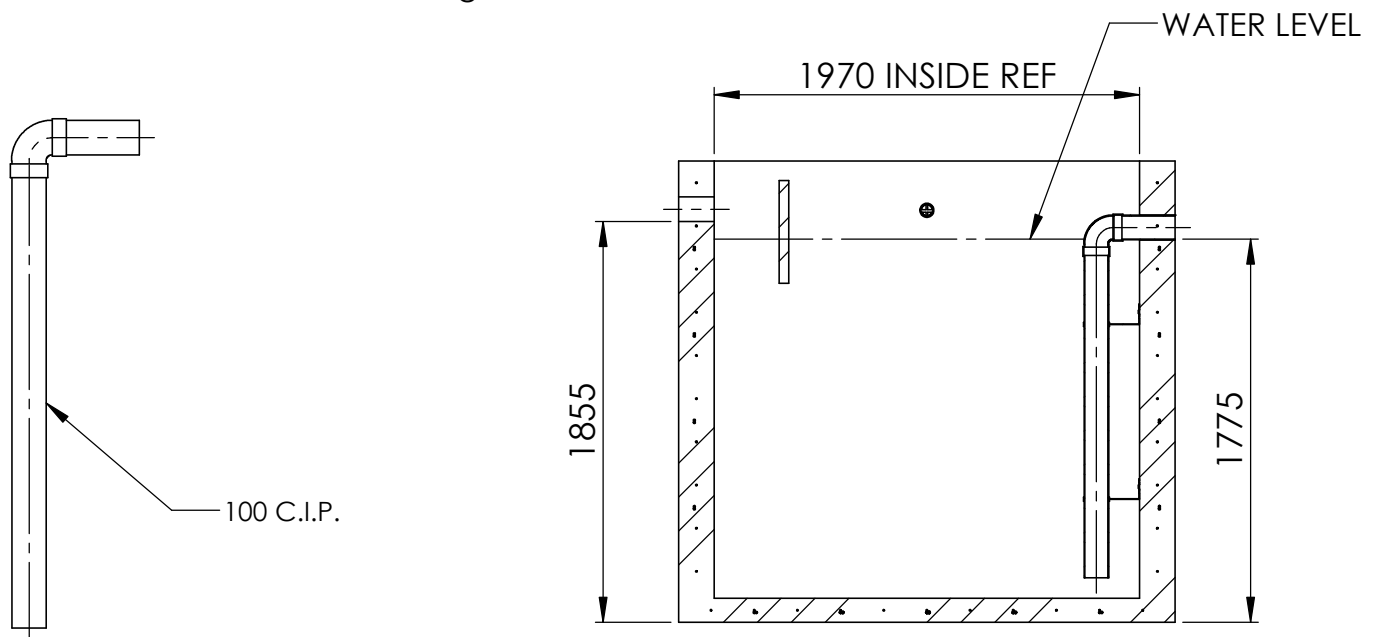
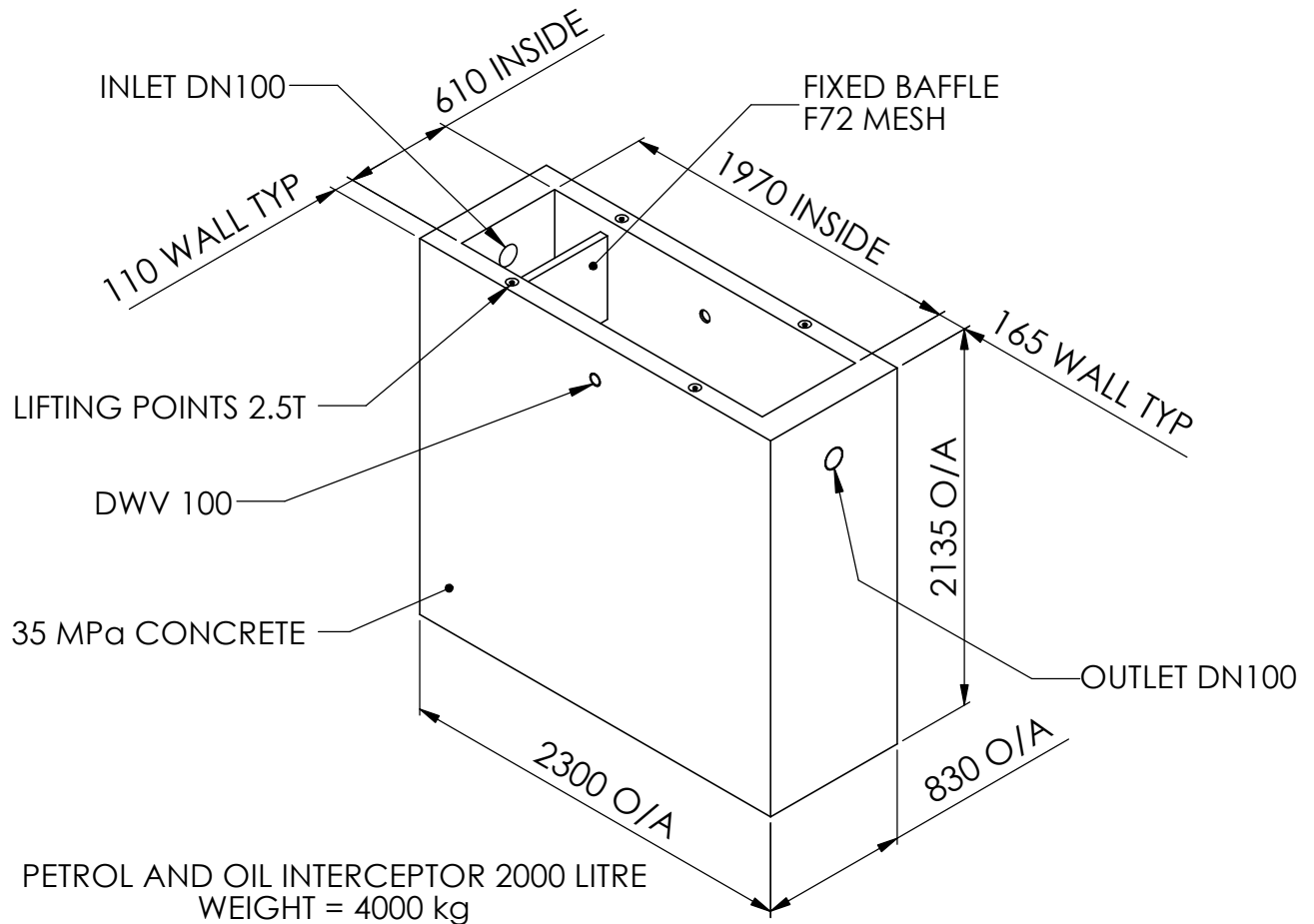
417 PRINCES HIGHWAY, OFFICER, VIC 3809

ABN: 12 067 076 751 ACN: 067 076 751

TEL: (03) 5943 2321 FAX: (03) 5943 1221

EMAIL: sales@hendrixxconcrete.com.au

WEBSITE: www.hendrixxconcrete.com.au



CENTRELINE SECTION

NOTES:

1. DO NOT SCALE.
2. SLIGHT TAPER ON CONCRETE UNITS.
3. MEASUREMENT IN MILLIMETRES.

LIDS:
AVAILABLE IN CAST IRON
LIGHT = 50 THK, HEAVY = 95 THK

Drawing Number: 13-HDC-078-I	Title: PETROL AND OIL INTERCEPTOR 2000L - INFORMATION	Drawn: GB	Date: 29.09.16	Rev: 0
----------------------------------------	-----------------------------------------------------------------	---------------------	--------------------------	------------------