

# HENDRIKX CONCRETE PTY. LTD.

A.C.N. 067 076 751

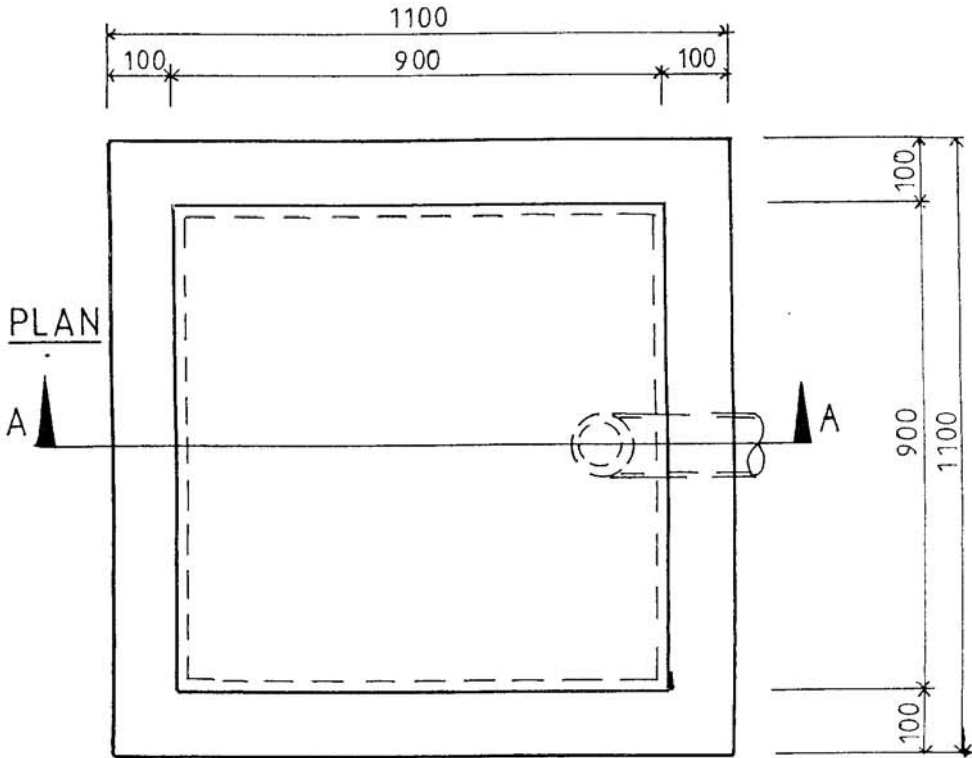
417 PRINCES HIGHWAY, OFFICER. VIC. 3809.

PHONE: 03 5943 2321

FAX: 03 5943 1221

## 900 LITRE PIT

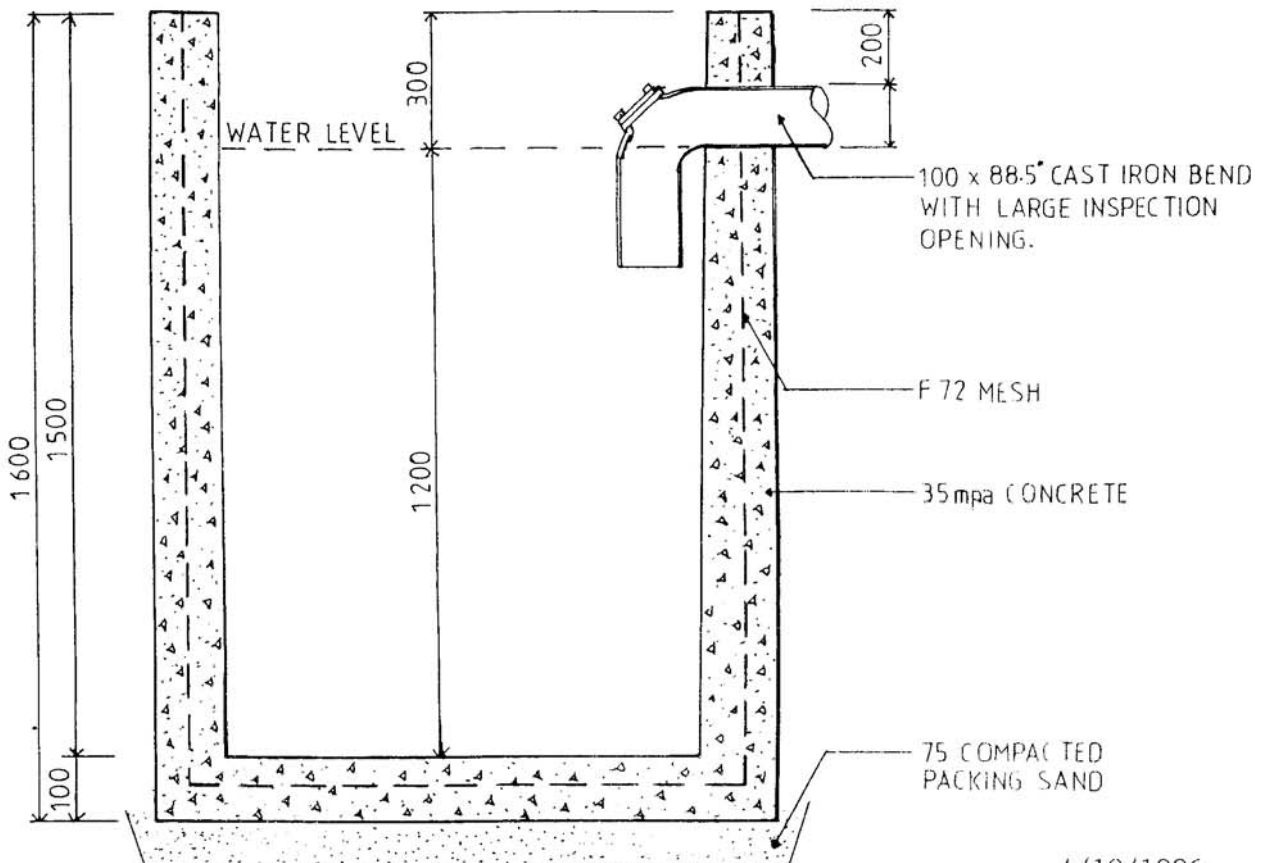
WEIGHT 1500 KGS



### LIDS

AVAILABLE IN:-  
GALVANIZED GRATING  
OR  
CONCRETE

Measurements in Millimetres,  
Not to scale.  
Slight taper on concrete units.



SECTION A-A

4/10/1996