

HENDRIKX CONCRETE PTY LTD

ABN: 12 067 076 751

417 PRINCES HIGHWAY

TEL: 03 5943 2321

Email: sales@hendrikxconcrete.com.au

ACN: 067 076 751

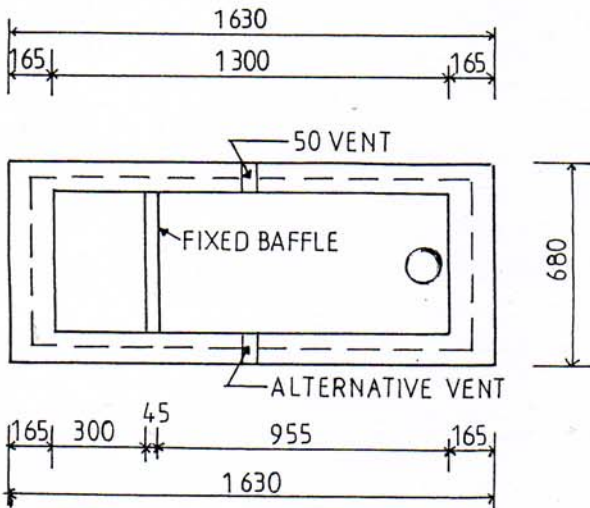
OFFICER VIC 3809

FAX: 03 5943 1221

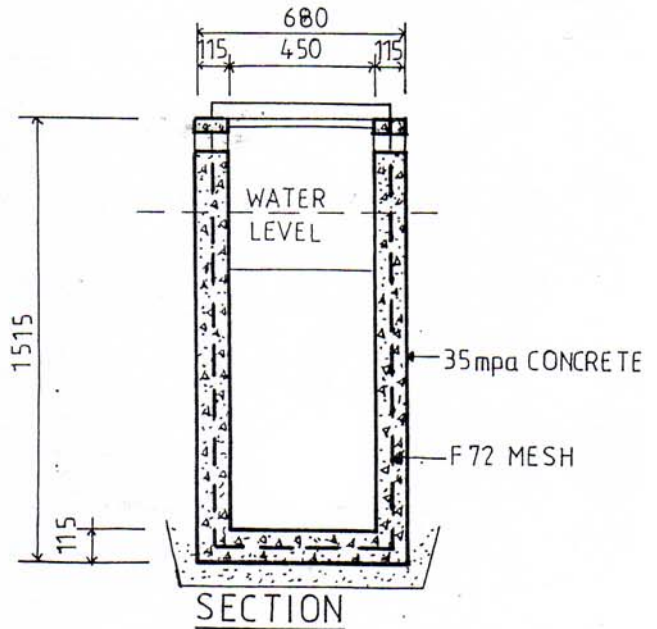
Web Site: www.hendrikxconcrete.com.au

WEIGHT 2000 KGS	DRAWING NO: HEN 2
-----------------	-------------------

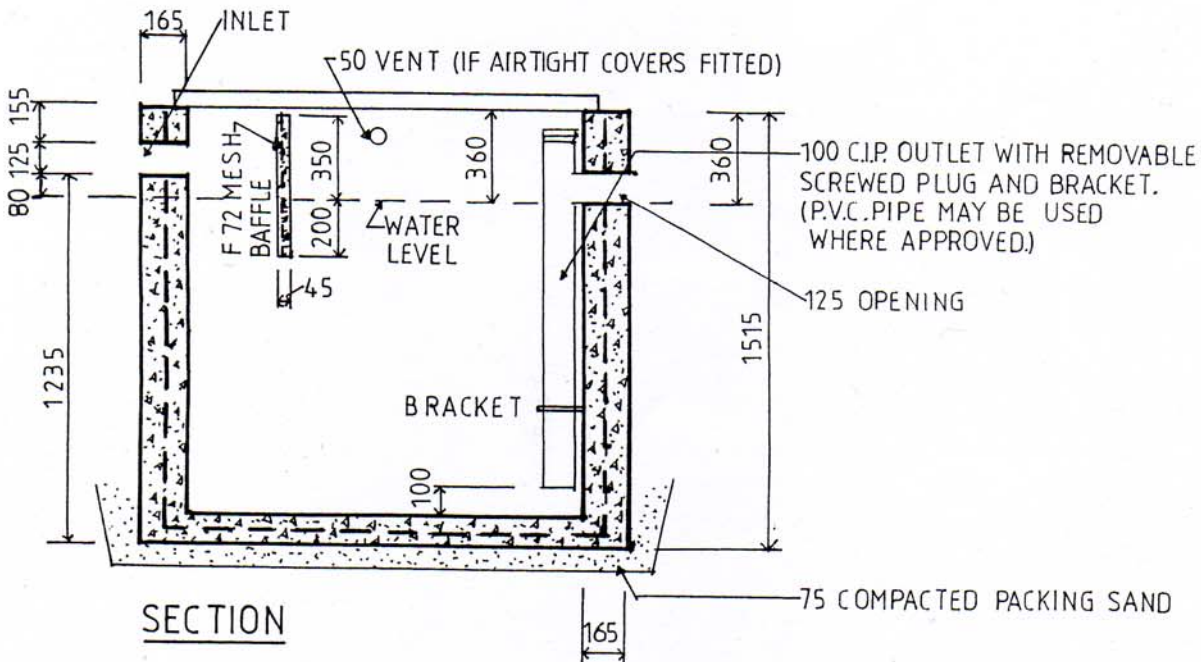
600 LITRE GREASE INTERCEPTOR



PLAN



SECTION



SECTION

LIDS

CAST IRON LIGHT 55 thick

CAST IRON HEAVY DUTY 95 thick

EXCAVATION DETAILS

LENGTH 1780

WIDTH 830

Slight taper on concrete units.