

HENDRIKX CONCRETE PTY. LTD.

A.C.N. 067 076 751

417 PRINCES HIGHWAY, OFFICER. VIC. 3809.

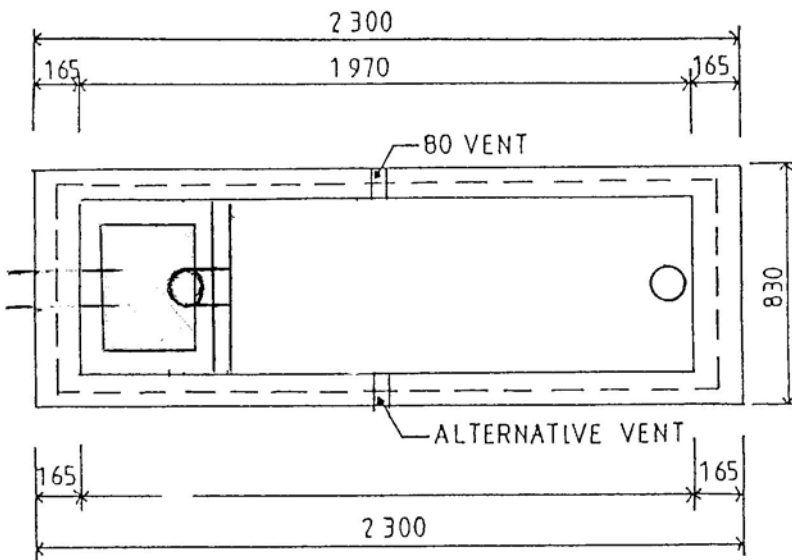
PHONE: 03 5943 2321

FAX: 03 5943 1221

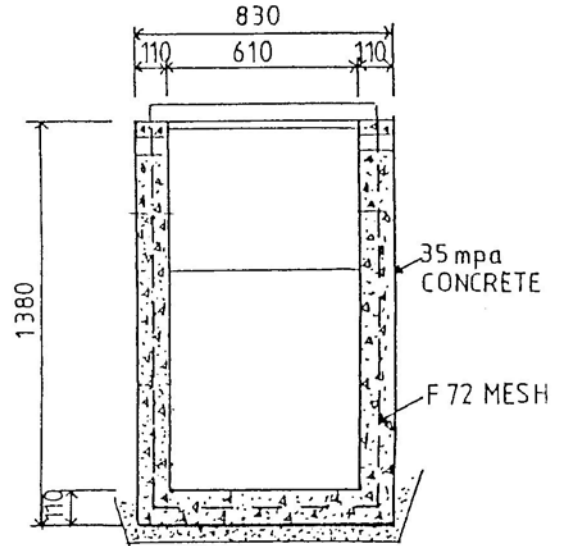
WEIGHT 2750 KGS

DRAWING NO: HEN D.

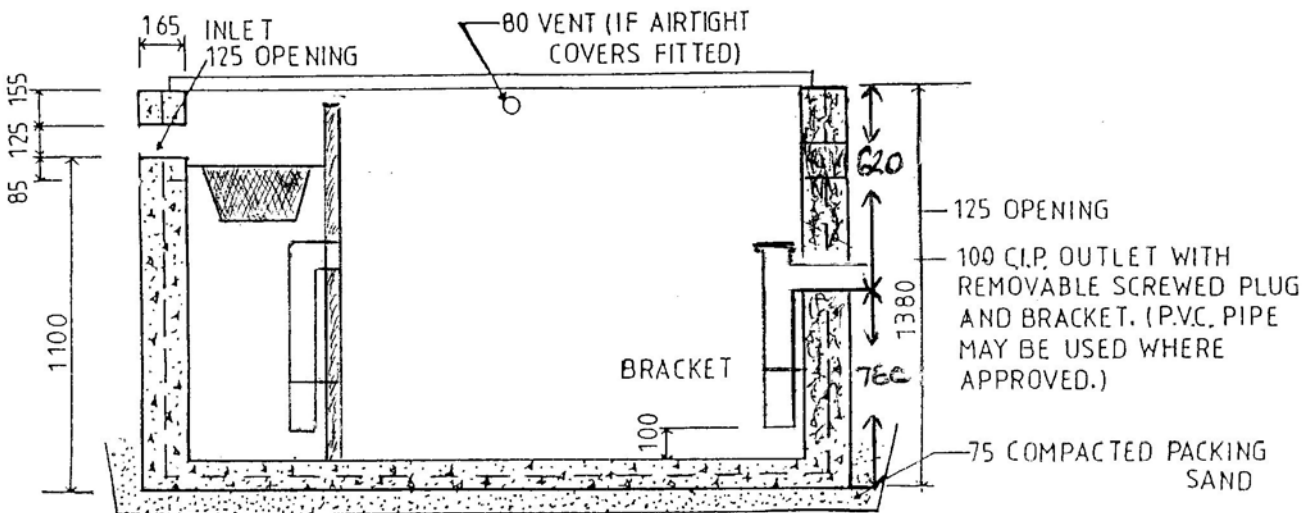
750 LITRE COOLING + STRAINING PIT



PLAN



SECTION



SECTION

LIDS

CAST IRON LIGHT 50 thick
 CAST IRON MEDIUM 95 thick
 CAST IRON HEAVY DUTY 95 thick

EXCAVATION DE TAILS

LENGTH 2450
 WIDTH 980

Measurements in Millimetres,
 Not to scale.
 Slight taper on concrete units.

4/10/1996