

HENDRIKX CONCRETE PTY. LTD.

A.C.N. 067 076 751

417 PRINCES HIGHWAY, OFFICER. VIC. 3809.

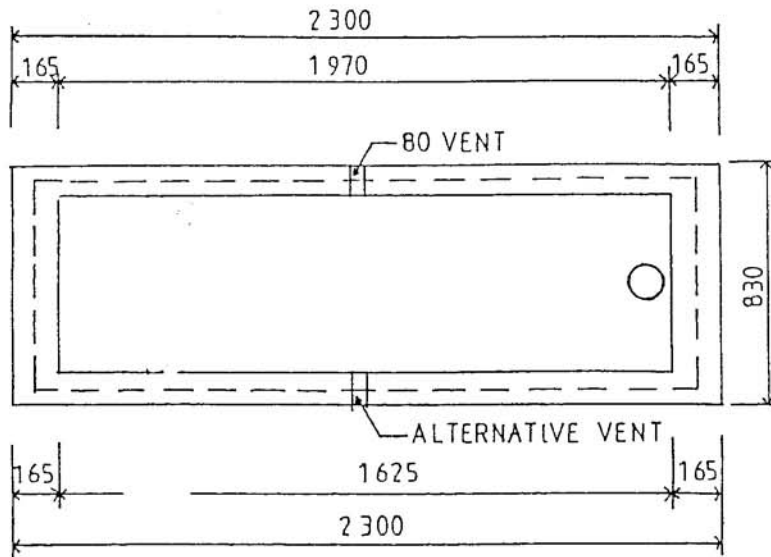
PHONE: 03 5943 2321

FAX: 03 5943 1221

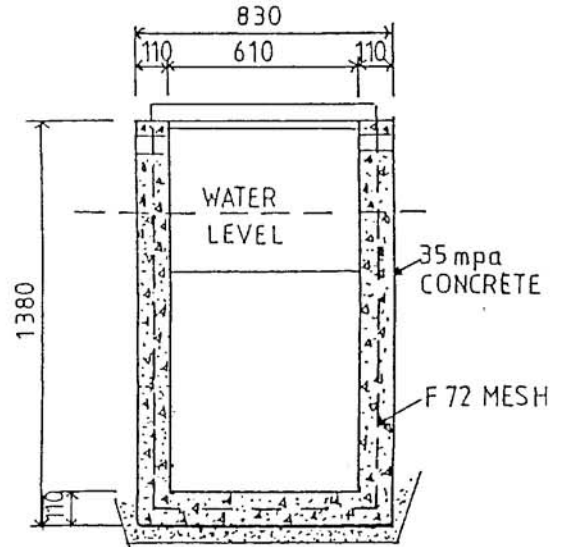
WEIGHT 2750 KGS

DRAWING NO: HEN ~~DAN~~

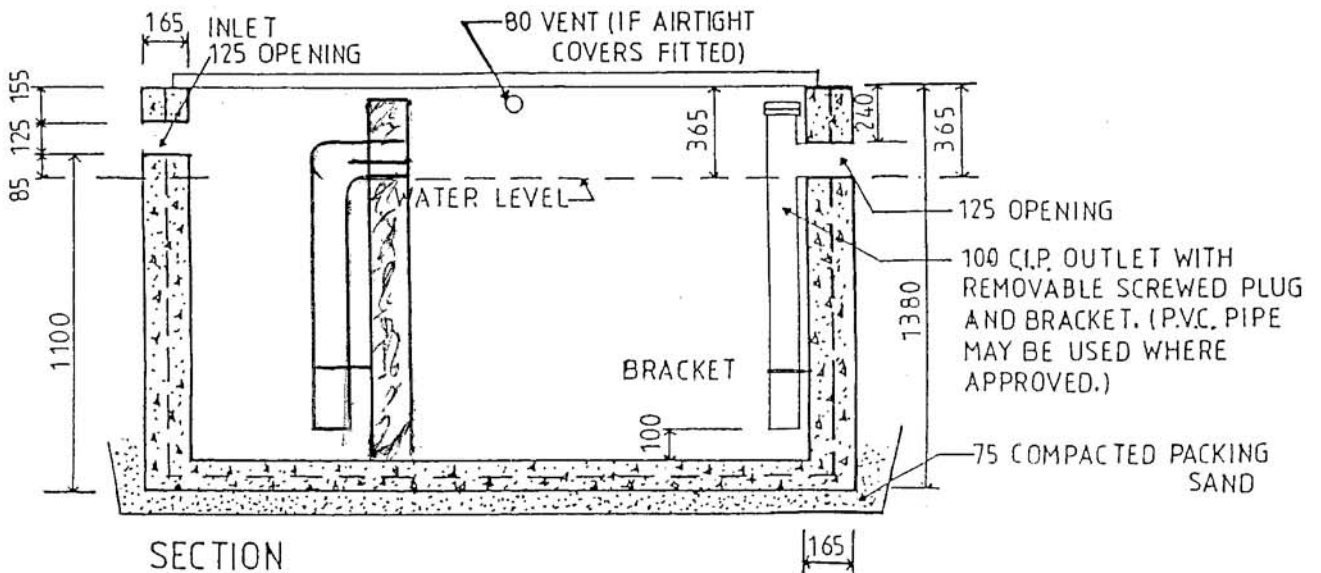
1100 LITRE COOLING PIT



PLAN



SECTION



SECTION

LIDS

CAST IRON LIGHT 50 thick
 CAST IRON MEDIUM 95 thick
 CAST IRON HEAVY DUTY 95 thick

4/10/1996

EXCAVATION DETAILS

LENGTH 2450
 WIDTH 980

Measurements in Millimetres,
 Not to scale.
 Slight taper on concrete units.