



HENDRIKX CONCRETE PTY LTD

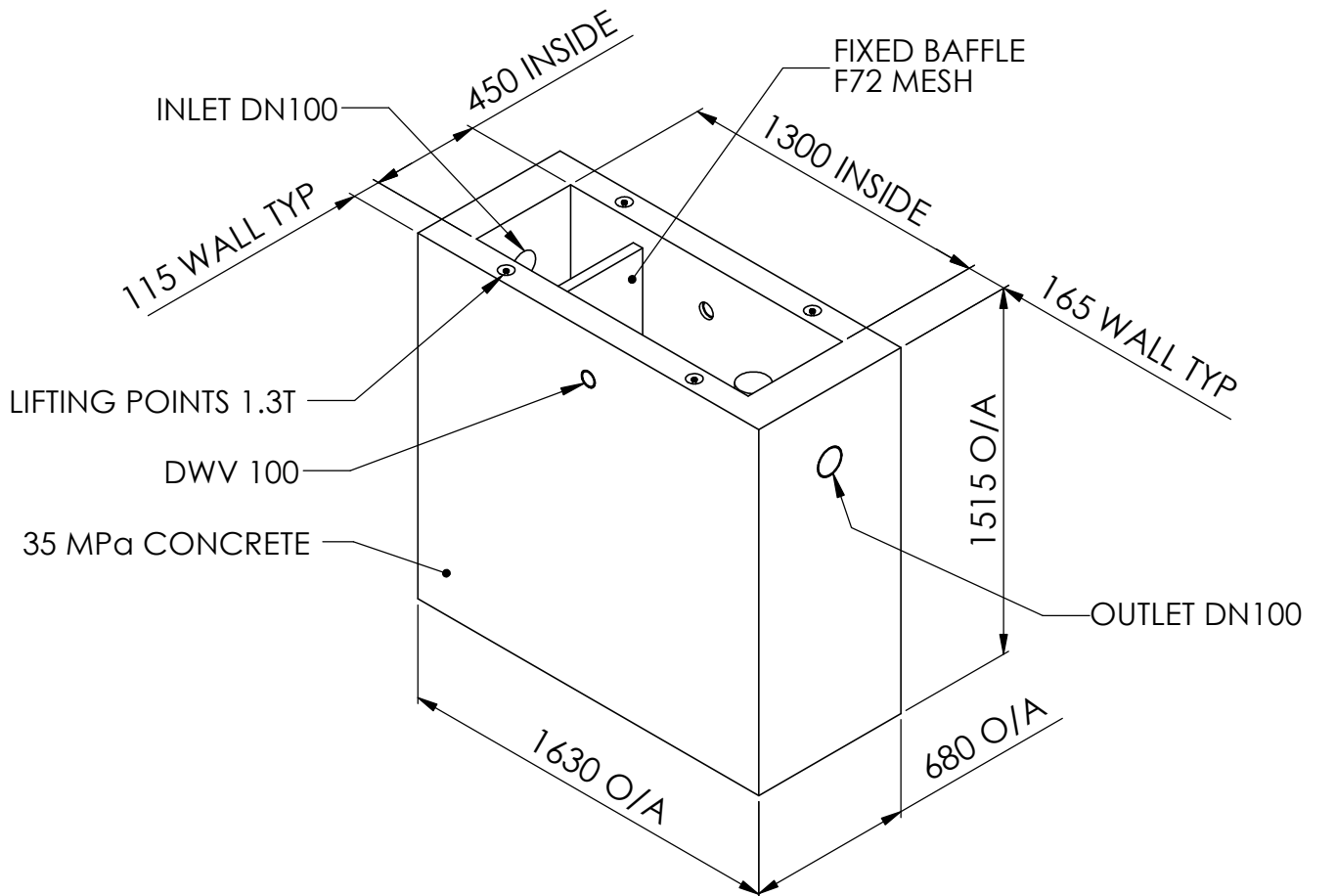
417 PRINCES HIGHWAY, OFFICER, VIC 3809

ABN: 12 067 076 751 ACN: 067 076 751

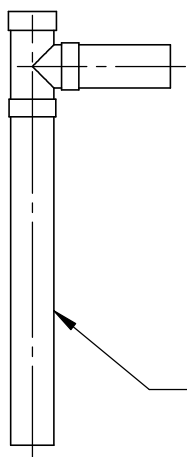
TEL: (03) 5943 2321 FAX: (03) 5943 1221

EMAIL: sales@hendrixxconcrete.com.au

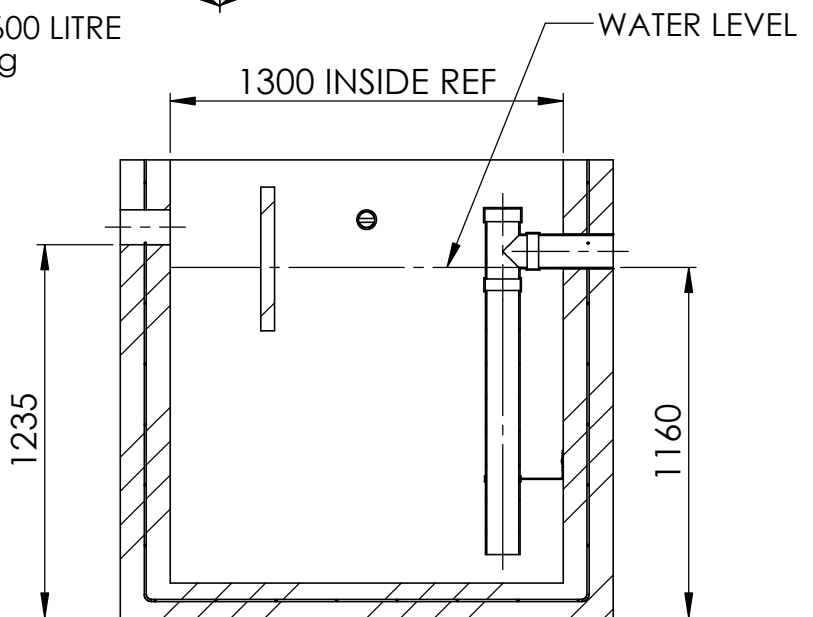
WEBSITE: www.hendrixxconcrete.com.au



GREASE INTERCEPTOR 600 LITRE
WEIGHT = 2000 kg



100 C.I.P. OUTLET WITH
REMOVABLE SCREWED
PLUG & BRACKET
(PVC PPE MAY BE USED
WHERE APPROVED)
SUPPLIED LOOSE



CENTRELINE
SECTION

NOTES:

1. DO NOT SCALE.
2. SLIGHT TAPER ON CONCRETE UNITS.
3. MEASUREMENT IN MILLIMETRES.

LIDS:

AVAILABLE IN CAST IRON
LIGHT = 50 THK, HEAVY = 95 THK

Drawing Number: 13-HDC-070-I	Title: GREASE INTERCEPTOR 600L - INFORMATION	Drawn: EV	Date: 14.07.14	Rev: 3
--	--	---------------------	--------------------------	------------------