



# HENDRIKX CONCRETE PTY LTD

417 PRINCES HIGHWAY, OFFICER, VIC 3809

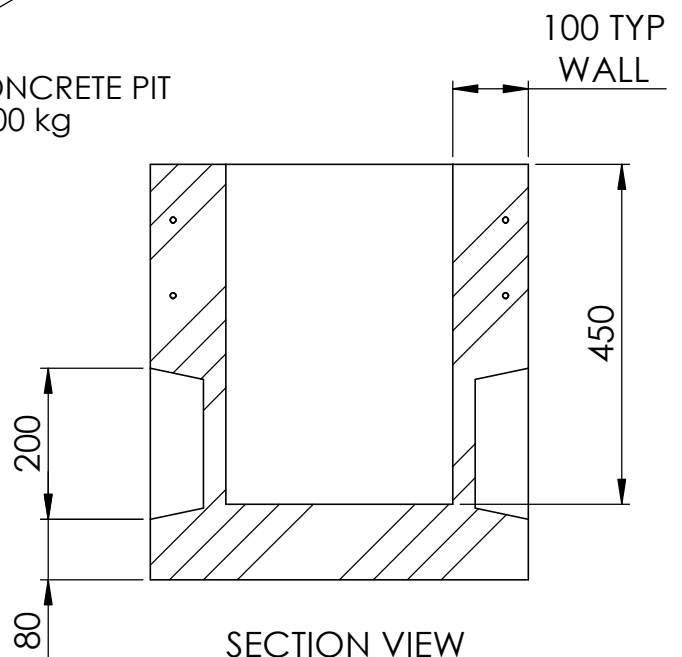
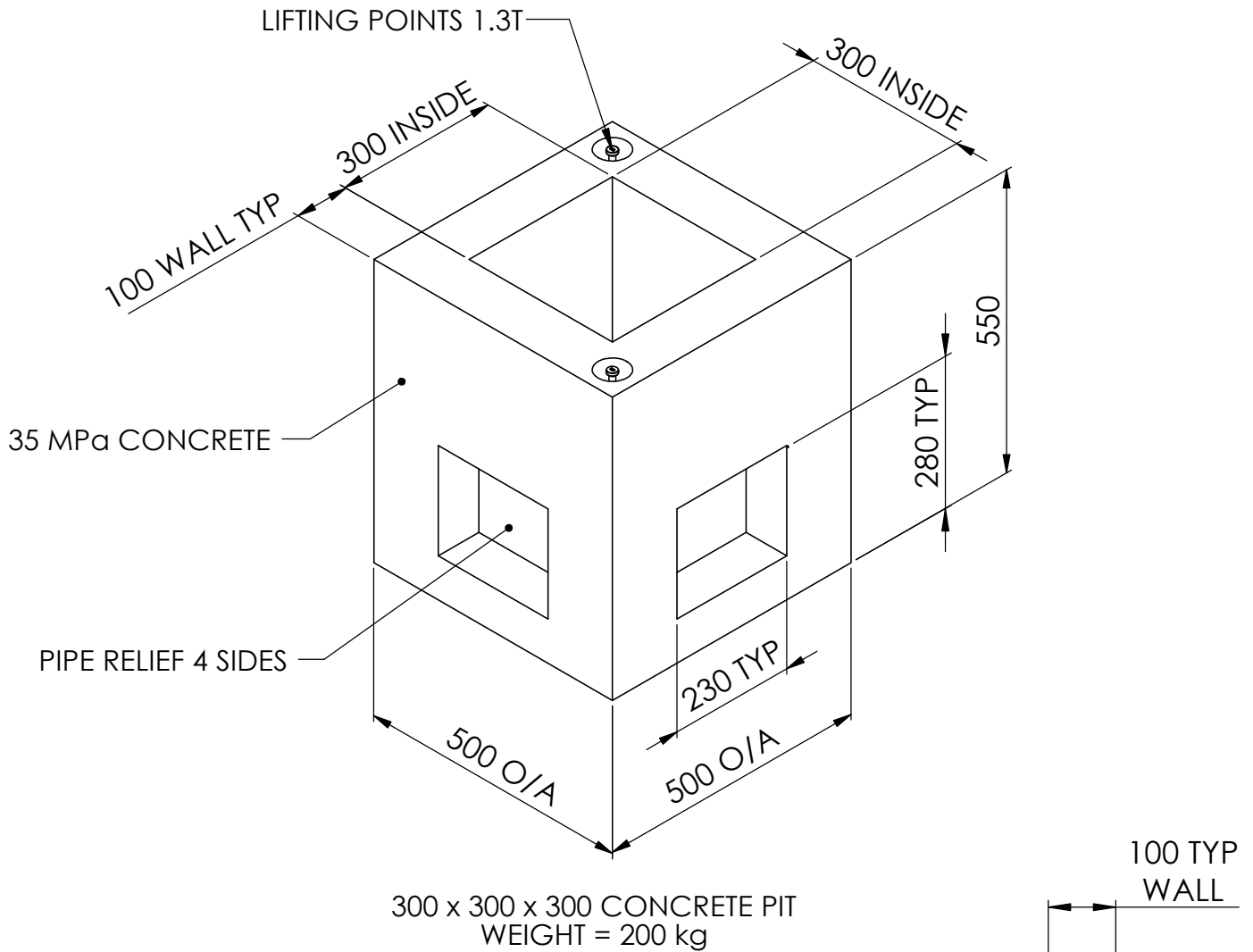
ABN: 12 067 076 751 ACN: 067 076 751

TEL: (03) 5943 2321 FAX: (03) 5943 1221

EMAIL: sales@hendrixxconcrete.com.au

WEBSITE: www.hendrixxconcrete.com.au

LIDS:  
AVAILABLE IN GAL GRATING, CAST IRON, TERRA FIRMA, CONCRETE



NOTES:

1. DO NOT SCALE.
2. SLIGHT TAPER ON CONCRETE UNITS.
3. MEASUREMENT IN MILLIMETRES.

Drawing Number: <b>13-HDC-002-I</b>	Title: <b>300 x 300 x 450 CONCRETE PIT - INFORMATION</b>	Drawn: <b>EJ</b>	Date: <b>5.10.15</b>	Rev: <b>0</b>
--	---	---------------------	-------------------------	------------------