

HENDRIKX CONCRETE PTY. LTD.

A.C.N. 067 076 751

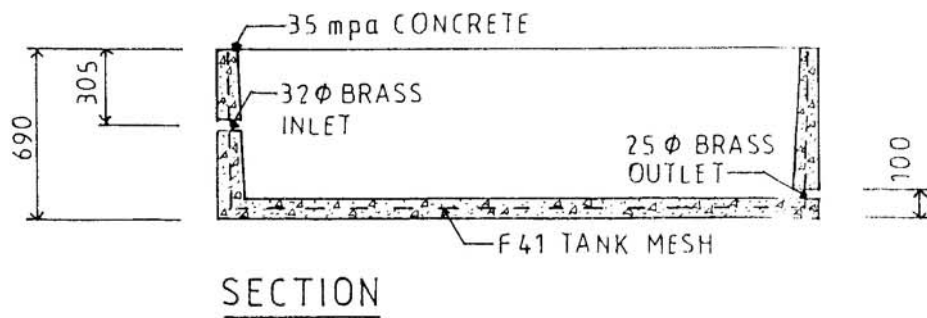
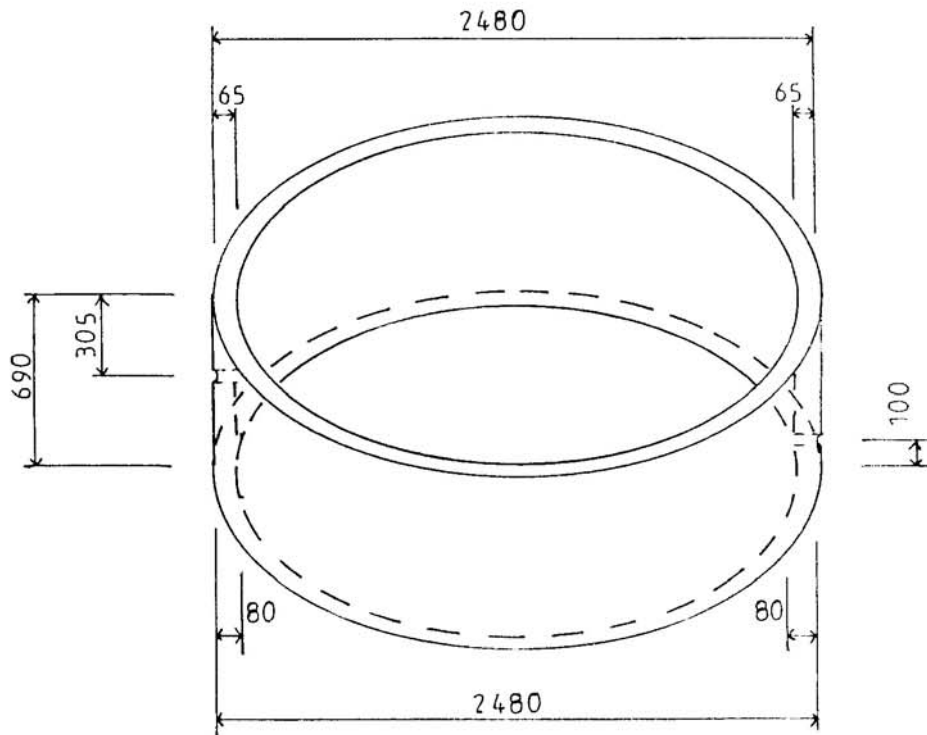
417 PRINCES HIGHWAY, OFFICER. VIC. 3809.

PHONE: 03 5943 2321

FAX: 03 5943 1221

2611 LITRE TROUGH (575 gal)

WEIGHT 2200 KGS



Measurements in Millimetres,
Not to scale.