

# HENDRIKX CONCRETE PTY LTD

ABN: 12 067 076 751

417 PRINCES HIGHWAY

TEL: 03 5943 2321

Email: [sales@hendrikxconcrete.com.au](mailto:sales@hendrikxconcrete.com.au)

ACN: 067 076 751

OFFICER VIC 3809

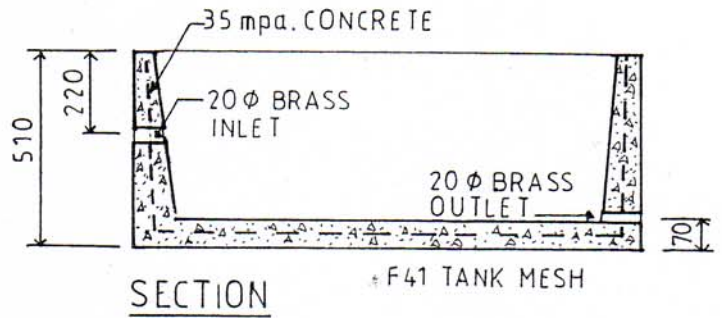
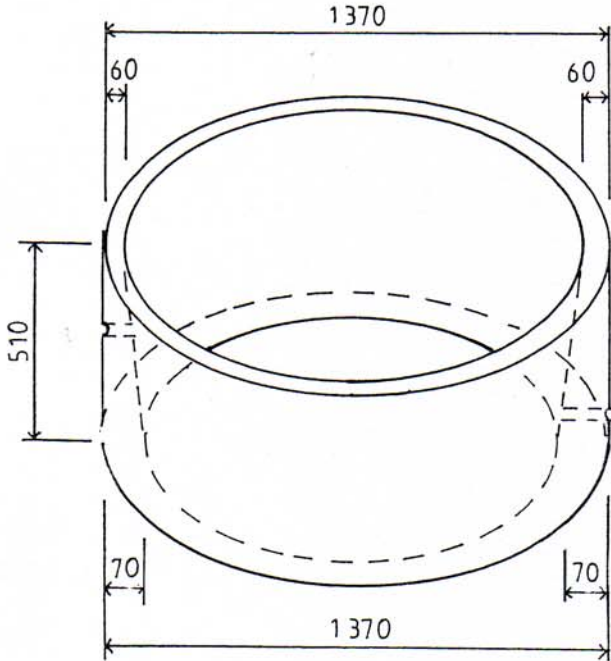
FAX: 03 5943 1221

Web Site: [www.hendrikxconcrete.com.au](http://www.hendrikxconcrete.com.au)

## 530 LITRE TROUGH

(118 GAL)

WEIGHT: 600 KGS



## 760 LITRE TROUGH

(169 GAL)

WEIGHT 850 KGS

