

HENDRIKX CONCRETE PTY LTD

ABN: 12 067 076 751

417 PRINCES HIGHWAY

TEL: 03 5943 2321

Email: sales@hendrikxconcrete.com.au

ACN: 067 076 751

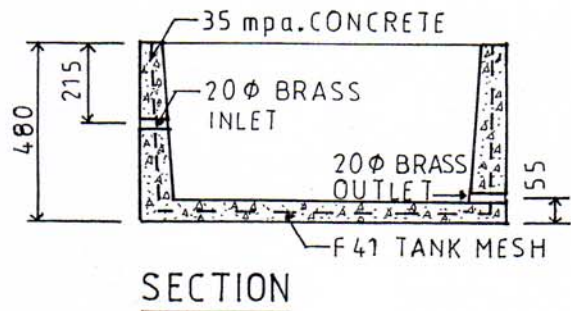
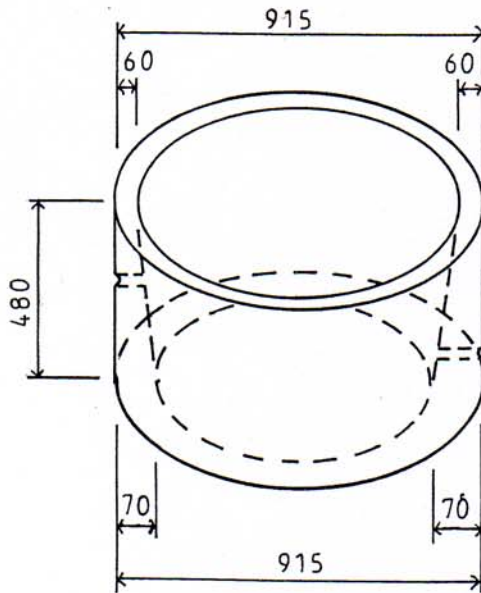
OFFICER VIC 3809

FAX: 03 5943 1221

Web Site: www.hendrikxconcrete.com.au

205 LITRE TROUGH
WEIGHT 350 KGS

(45 GAL)



270 LITRE TROUGH
WEIGHT 500 KGS

(60 GAL)

