



HENDRIKX CONCRETE PTY LTD

417 PRINCES HIGHWAY, OFFICER, VIC 3809

ABN: 12 067 076 751 ACN: 067 076 751

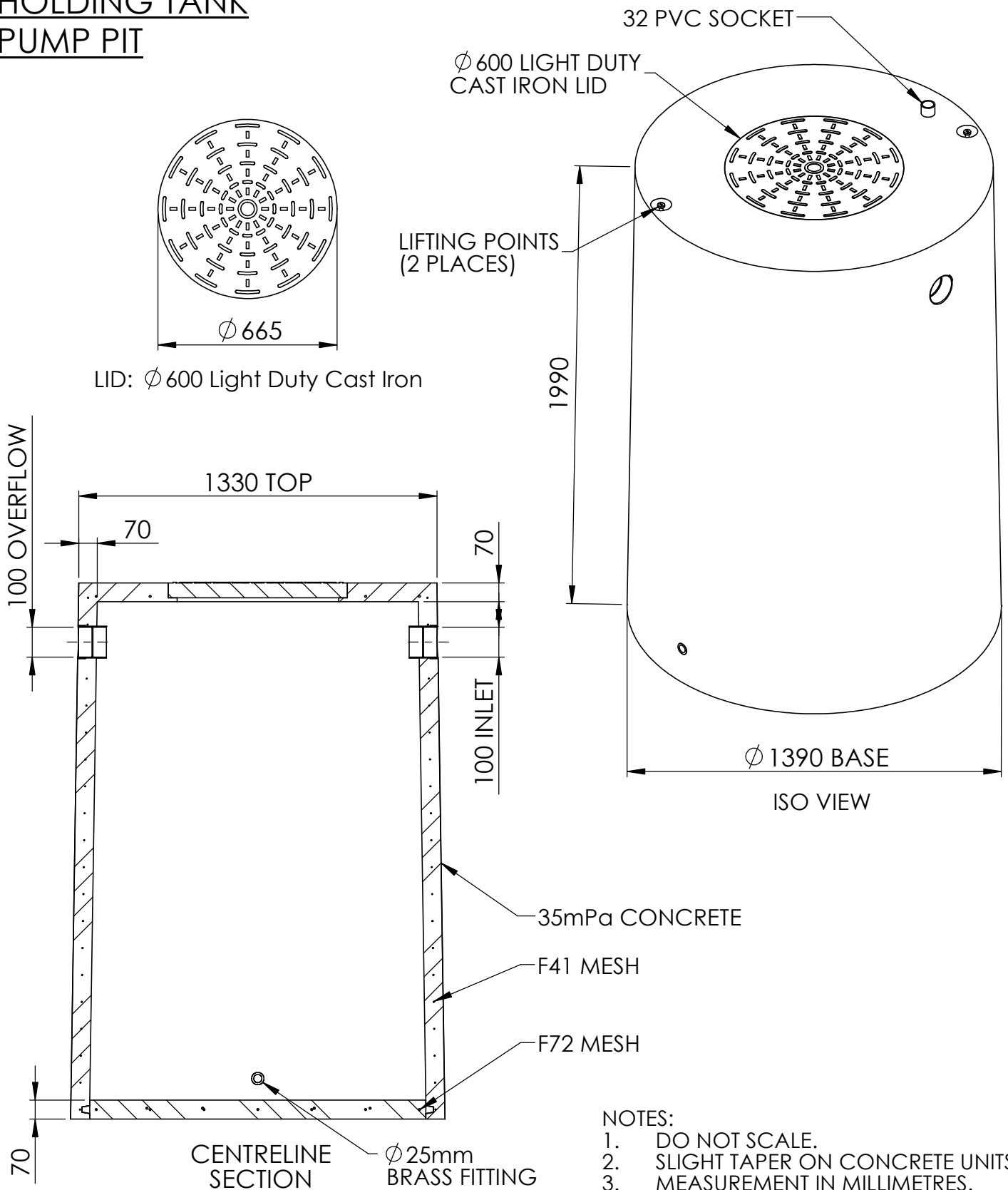
TEL: (03) 5943 2321 FAX: (03) 5943 1221

EMAIL: sales@hendrixxconcrete.com.au

WEBSITE: www.hendrixxconcrete.com.au

WATER TANK 2000 Litre HOLDING TANK PUMP PIT

Weight = 2000 kg



NOTES:

1. DO NOT SCALE.
2. SLIGHT TAPER ON CONCRETE UNITS.
3. MEASUREMENT IN MILLIMETRES.

Drawing Number: 13-HDC-100-I	Title: ROUND WATER TANK 2000L - INFORMATION	Drawn: MM	Date: 24.02.17	Rev: 2
--	---	---------------------	--------------------------	------------------