



HENDRIKX CONCRETE PTY LTD

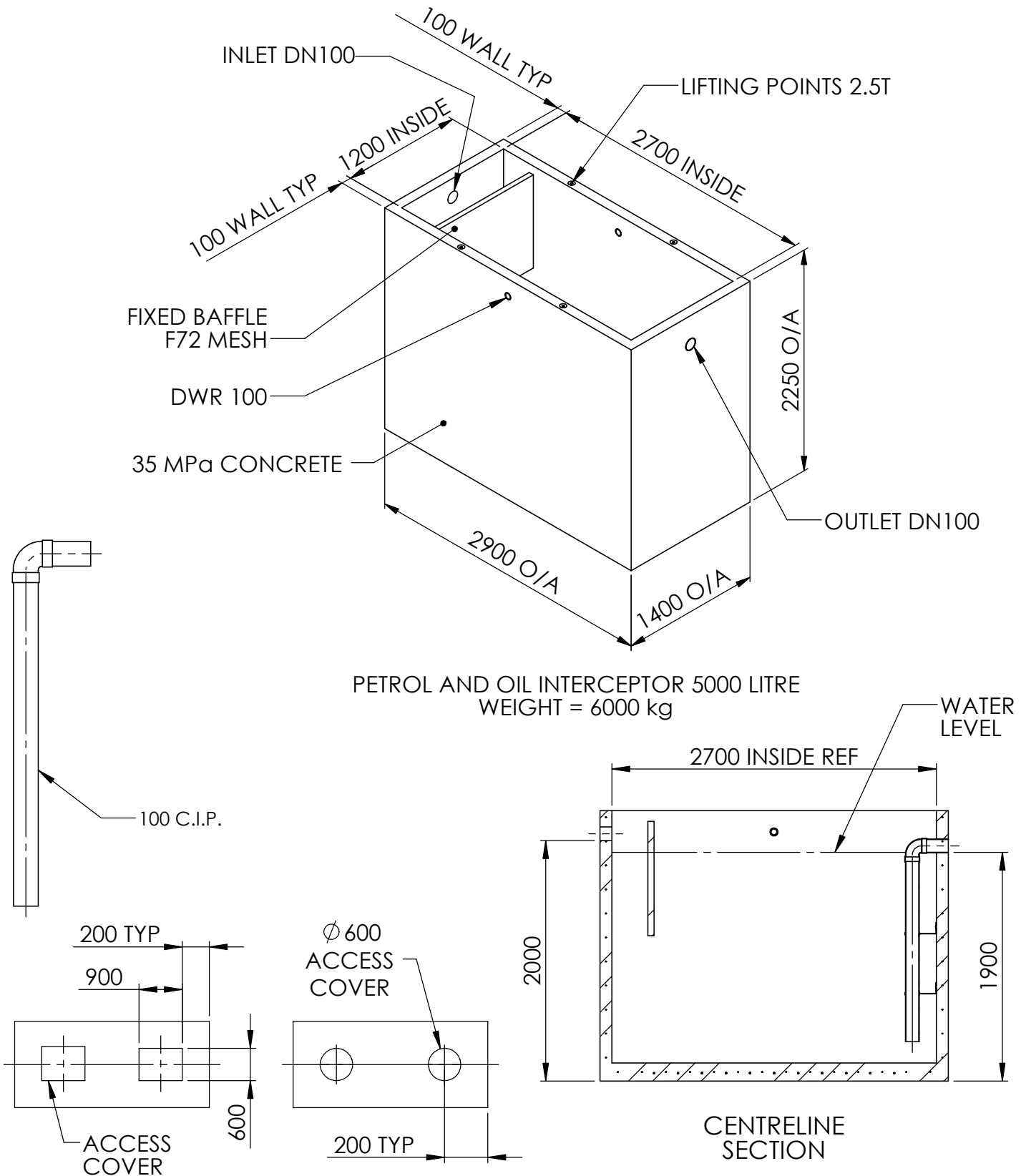
417 PRINCES HIGHWAY, OFFICER, VIC 3809

ABN: 12 067 076 751 ACN: 067 076 751

TEL: (03) 5943 2321 FAX: (03) 5943 1221

EMAIL: sales@hendrixxconcrete.com.au

WEBSITE: www.hendrixxconcrete.com.au



NOTES:

1. DO NOT SCALE.
2. SLIGHT TAPER ON CONCRETE UNITS.
3. MEASUREMENT IN MILLIMETRES.

LIDS:

AVAILABLE IN CONCRETE, 2900 x 1400 mm
LIGHT = 150 THK, HEAVY = 250 THK

Drawing Number: 13-HDC-080-I	Title: PETROL AND OIL INTERCEPTOR 5000L - INFORMATION	Drawn: GB	Date: 29.09.16	Rev: 1
--	---	---------------------	--------------------------	------------------